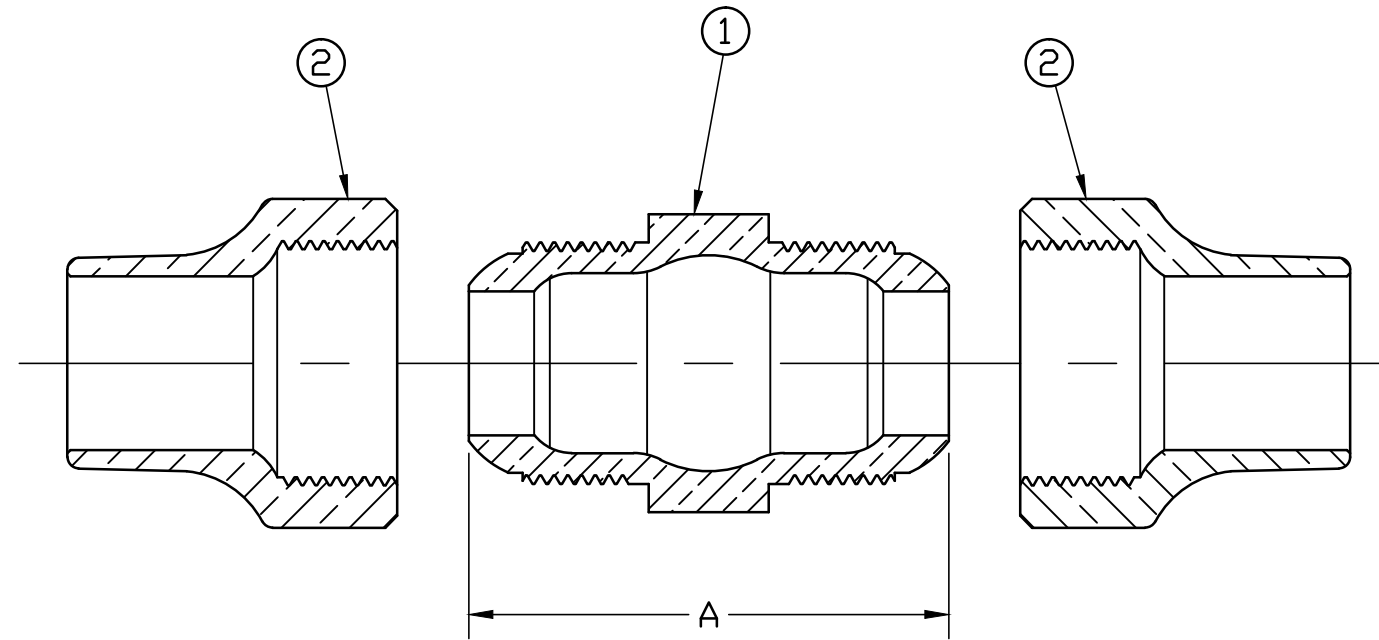


No.	DESCRIPTION	MATERIAL
1	SPUD	CAST LOW LEAD BRASS ALLOY
2	CS NUT	CAST BRASS ASTM B62 ALLOY C83600



SIZE	A
3/4	2.500
3/4 x 1	2.938
1	2.938
1-1/2	4.062
2	4.892

ALL WETTED PARTS ARE LOW LEAD BRASS ALLOY

FILEPATH: PROD-ENG\JAMES JONES\ASYSUBMITTALS\E1528

						DRFTR	RWB	4/14/10	JONES				
						CHKR					UNLESS OTHERWISE NOTED THIRD ANGLE PROJECTION 		
						ENGR						SURFACE PREPARATION: BREAK CORNER(S) ---- .000 SURFACE FINISH -- 000 RMS TOLERANCE(S): LINEAR ----- ± .000 ANGULAR ----- ± 0°00'	
						MGR					REF. No.		SCALE NONE
								BY	DATE				
								STK No:					
								MAT'L:					
								DESCR.	STRAIGHT LLB THREE PART UNION CS x CS	DWG NUMBER E1528			
								REV	ECR	DESCRIPTION	DATE	BY	CHKR
PER EST NO: DXXXX EST FIN WT = 0.0000 lbs													

DWG NUMBER
E1528
JJ-MRKTG

TITLE TO AND OWNERSHIP OF THIS ENGINEERING DATA REMAINS IN Mueller Co. NO USE IS TO BE MADE OF THIS DATA EXCEPT AS SPECIFICALLY AUTHORIZED BY Mueller Co. ASSENT ON THE PART OF THE RECIPIENT TO THESE CONDITIONS IS PRESUMED.