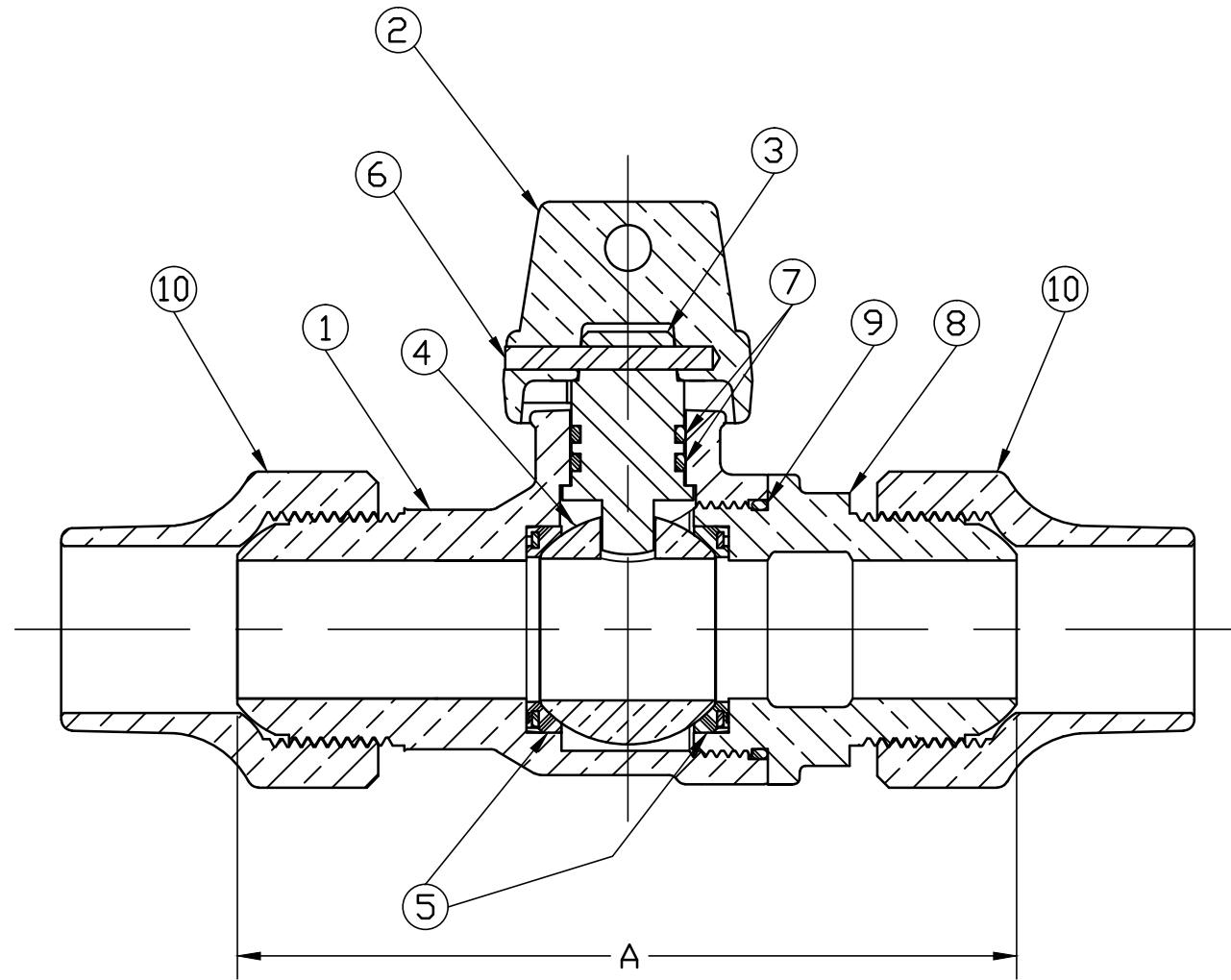


No.	DESCRIPTION	MATERIAL DESCRIPTION
1	BODY	CAST LOW LEAD BRASS ALLOY
2	CAP	CAST BRASS ASTM B62 ALLOY C83600
3	STEM	LOW LEAD BRASS ALLOY
4	BALL	LOW LEAD BRASS ALLOY
5	GASKET	NITRILE ASTM D2000
6	SOLID PIN	AISI 304 ANNEALED STAINLESS STEEL
7	O-RING	EP ASTM D2000
8	END PIECE	CAST LOW LEAD BRASS ALLOY
9	O-RING	EP ASTM D2000
10	TUBE NUT	CAST BRASS ASTM B62 ALLOY C83600



VALVE SIZE	A
3/4"	4-7/32"
1"	5-17/32"
2"	8-23/32"

ALL WETTED PARTS ARE LOW LEAD BRASS ALLOY

FILEPATH: PROD-ENG\JJ\SUBMITTALS\E1902

						DRFTR	RWB	2/4/10	JONES	THIRD ANGLE PROJECTION 			
						CHKR					UNLESS OTHERWISE NOTED SURFACE PREPARATION: BREAK CORNER(S) ---- .000 SURFACE FINISH -- XX RMS	REF. No.	SCALE
						ENGR							
						MGR					BY	DATE	
									STK No:				
									MAT'L:				
									DESCR.	BALL TYPE LLB CURB VALVE (COPPER FLARE NUT - BOTH ENDS)			
										DWG NUMBER E1902			
REV	ECR	DESCRIPTION	DATE	BY	CHKR								

TITLE TO AND OWNERSHIP OF THIS ENGINEERING DATA REMAINS IN Mueller Co. NO USE IS TO BE MADE OF THIS DATA EXCEPT AS SPECIFICALLY AUTHORIZED BY Mueller Co. ASSENT ON THE PART OF THE RECIPIENT TO THESE CONDITIONS IS PRESUMED

DWG NUMBER
E1902
JJ-MRKTNG