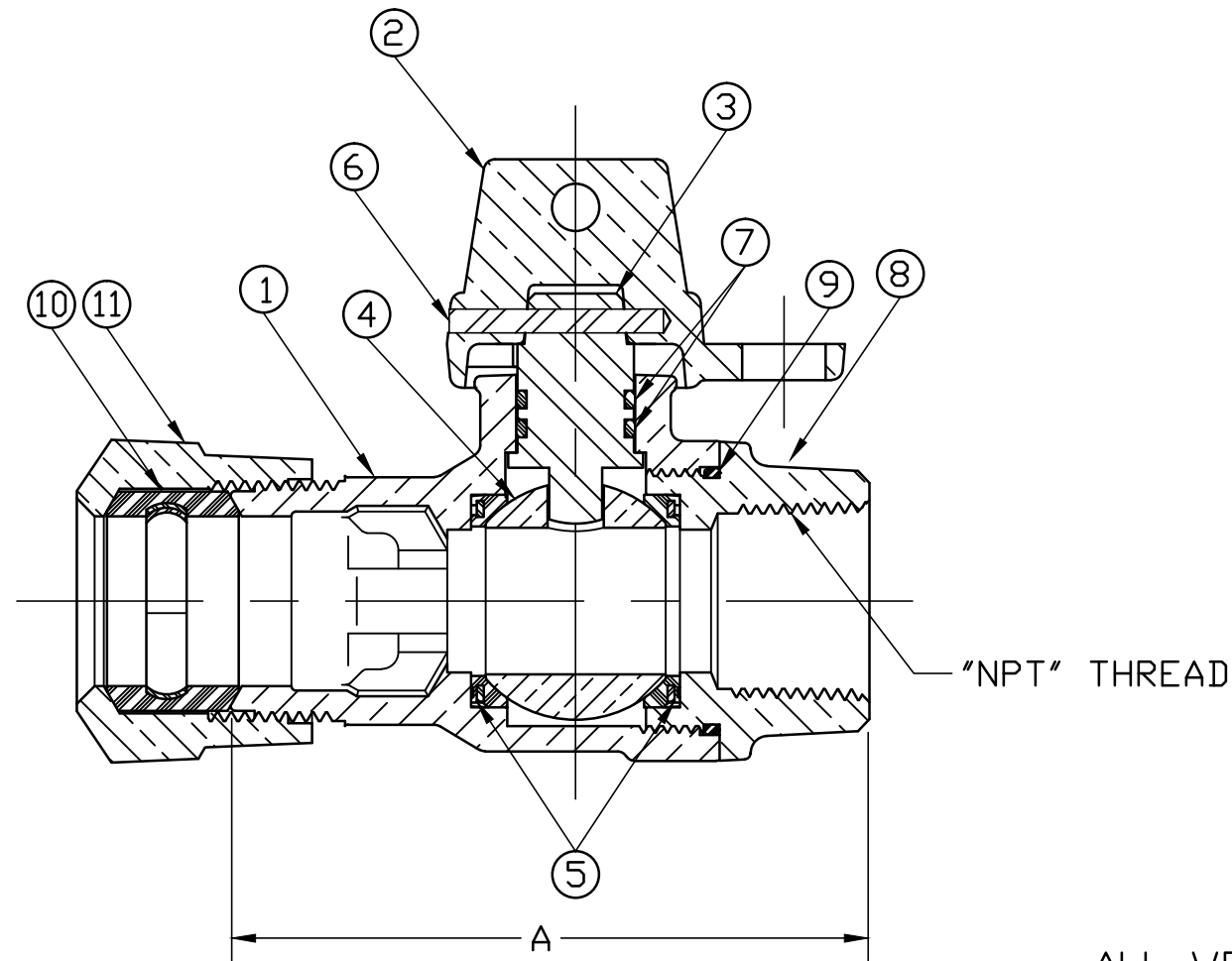


No.	DESCRIPTION	MATERIAL DESCRIPTION
1	BODY	CAST LOW LEAD BRASS ALLOY
2	CAP	CAST BRASS ASTM B62 ALLOY C83600
3	STEM	LOW LEAD BRASS ALLOY
4	BALL	LOW LEAD BRASS ALLOY
5	GASKET	NITRILE ASTM D2000
6	SOLID PIN	AISI 303 STAINLESS STEEL
7	O-RING	EP ASTM D2000
8	END PIECE	CAST LOW LEAD BRASS ALLOY
9	O-RING	EP ASTM D2000
10	CTS GASKET	SBR ASTM D2000 & 410 STAINLESS STEEL
11	CONNX NUT	CAST BRASS ASTM B62 ALLOY C83600



SIZE	A	NPT SIZE
3/4"	3-11/32"	3/4"
1"	4-33/64"	1"
1-1/2"	4-11/16"	1-1/2"
2"	5-15/64"	2"

ALL WETTED PARTS ARE LOW LEAD BRASS ALLOY

FILEPATH: PROD-ENG\JJ\SUBMITTALS\E1921WSG

						DRFTR	JGarvin	1/11/10	JONES	UNLESS OTHERWISE NOTED THIRD ANGLE PROJECTION SURFACE PREPARATION: BREAK CORNER(S) ---- .000 SURFACE FINISH -- XX RMS TOLERANCE(S): LINEAR ----- ± .000 ANGULAR ----- ± 0°00'	REF. No.	SCALE
						CHKR						
						ENGR						
						MGR						
							BY	DATE				
							STK No:					
							MAT'L:					
							DESCR.					
									LLB BALL TYPE CURB VALVE (110 CTS x FIP)			DWG NUMBER E1921WSG
REV	ECR	DESCRIPTION	DATE	BY	CHKR							

TITLE TO AND OWNERSHIP OF THIS ENGINEERING DATA REMAINS IN Mueller Co. NO USE IS TO BE MADE OF THIS DATA EXCEPT AS SPECIFICALLY AUTHORIZED BY Mueller Co. ASSENT ON THE PART OF THE RECIPIENT TO THESE CONDITIONS IS PRESUMED

DWG NUMBER
E1921WSG
JJ-MRKING