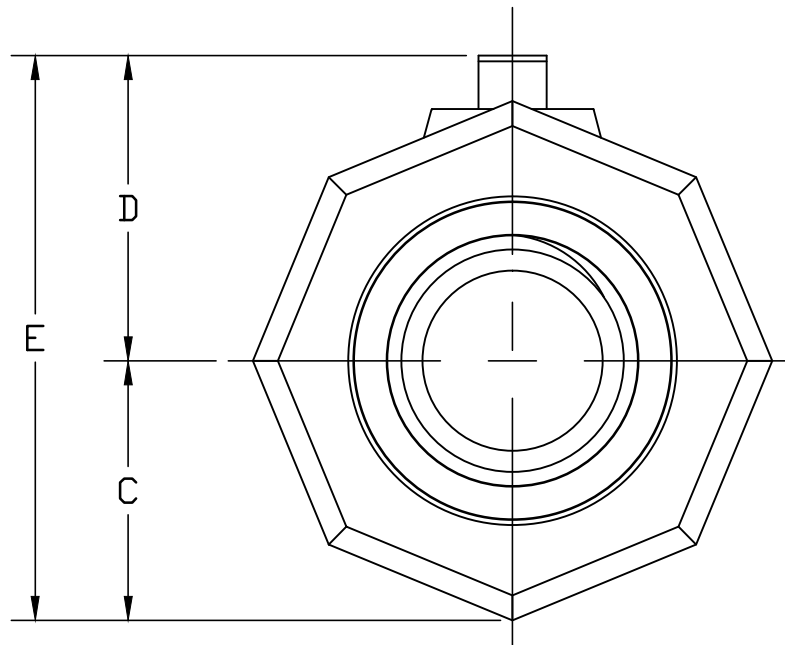
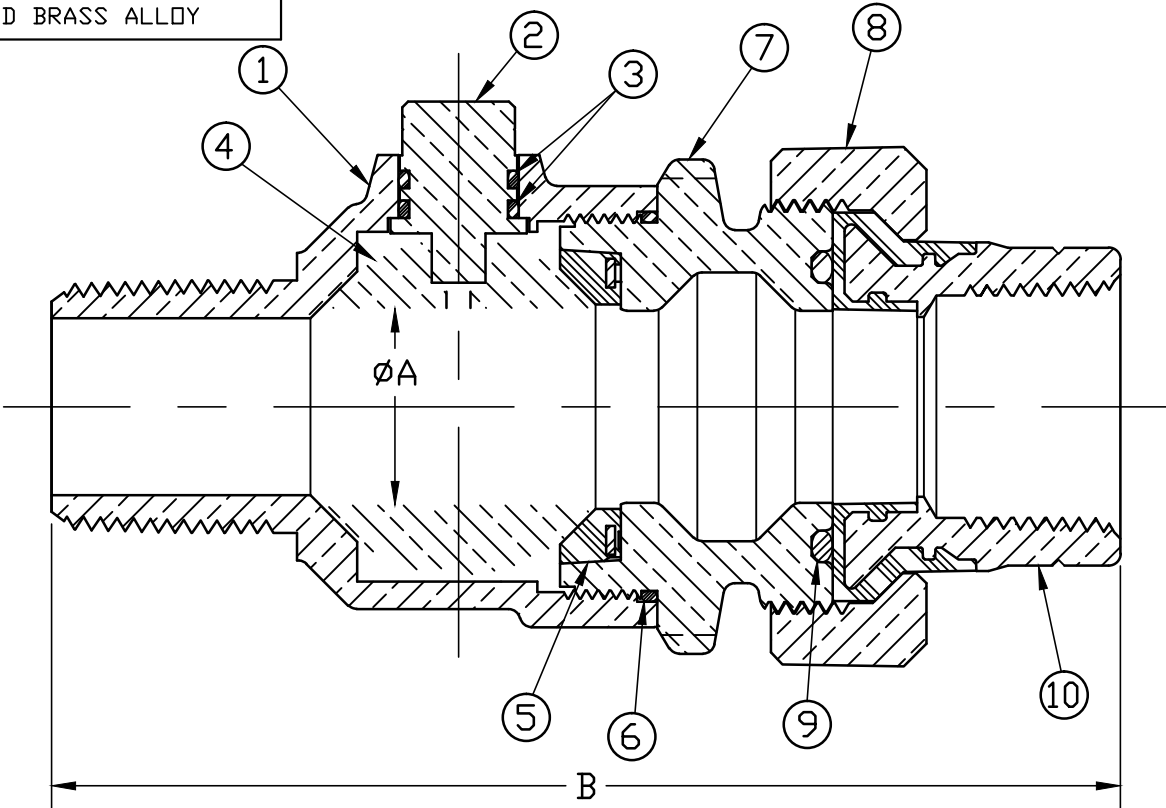


SIZE	ØA	B	C	D	E
1"	1.033/1.023	5.568	1.353	1.590	2.943
2"	2.015/2.005	8.407	2.165	2.558	4.723

No.	DESCRIPTION	REQ'D	MATERIAL
1	BODY	1	LOW LEAD BRASS ALLOY
2	STEM	1	LOW LEAD BRASS ALLOY
3	O-RING	2	RUBBER ASTM D-2000
4	BALL	1	LOW LEAD BRASS ALLOY
5	GASKET	1	RUBBER ASTM D-2000 NITRILE
6	O-RING	1	RUBBER ASTM D-2000
7	END PIECE	1	LOW LEAD BRASS ALLOY
8	COUPLING NUT	1	BRASS ASTM B-62 ALLOY C83600
9	O-RING	1	RUBBER ASTM D-2000
10	TAIL PIECE	1	LOW LEAD BRASS ALLOY



ALL WETTED PARTS ARE LOW LEAD BRASS ALLOY

FILEPATH: PROD-ENG\JJ\ASYSUBMITTALS\E1993

DRFTR	RWB	6/2/15	<b>JONES</b>	THIRD ANGLE PROJECTION 
CHKR				
ENGR				
MGR				
			UNLESS OTHERWISE NOTED	REF. No.
			SURFACE PREPARATION: BREAK CORNER(S) ---- .000 SURFACE FINISH -- XX RMS	
			TOLERANCE(S): LINEAR ----- ± .000 ANGULAR ----- ± 0°00'	
STK No:				
MAT'L:				
DESCR.			INSULATED LLB INLINE CORP BALL VALVE ASS'Y	
REV ECR DESCRIPTION DATE BY CHKR			DWG NUMBER E1993	
PER EST NO: DXXXX EST FIN WT = 0.0000 lbs				

DWG NUMBER  
**E1993**  
 442-MRKTG

TITLE TO AND OWNERSHIP OF THIS ENGINEERING  
 DATA REMAINS IN Mueller Co. NO USE IS TO BE  
 MADE OF THIS DATA EXCEPT AS SPECIFICALLY  
 AUTHORIZED BY Mueller Co. ASSENT ON THE PART  
 OF THE RECIPIENT TO THESE CONDITIONS IS PRESUMED