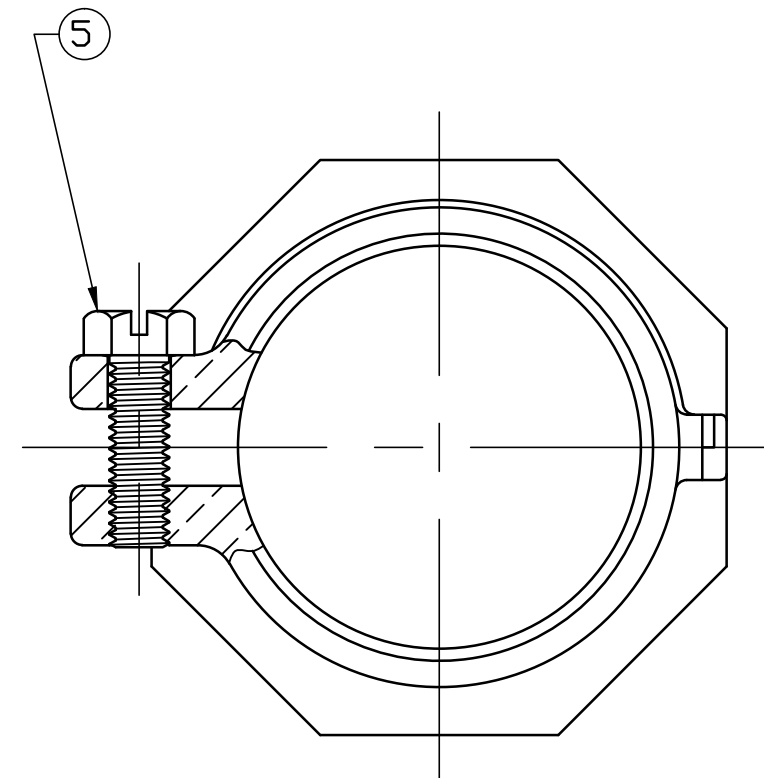
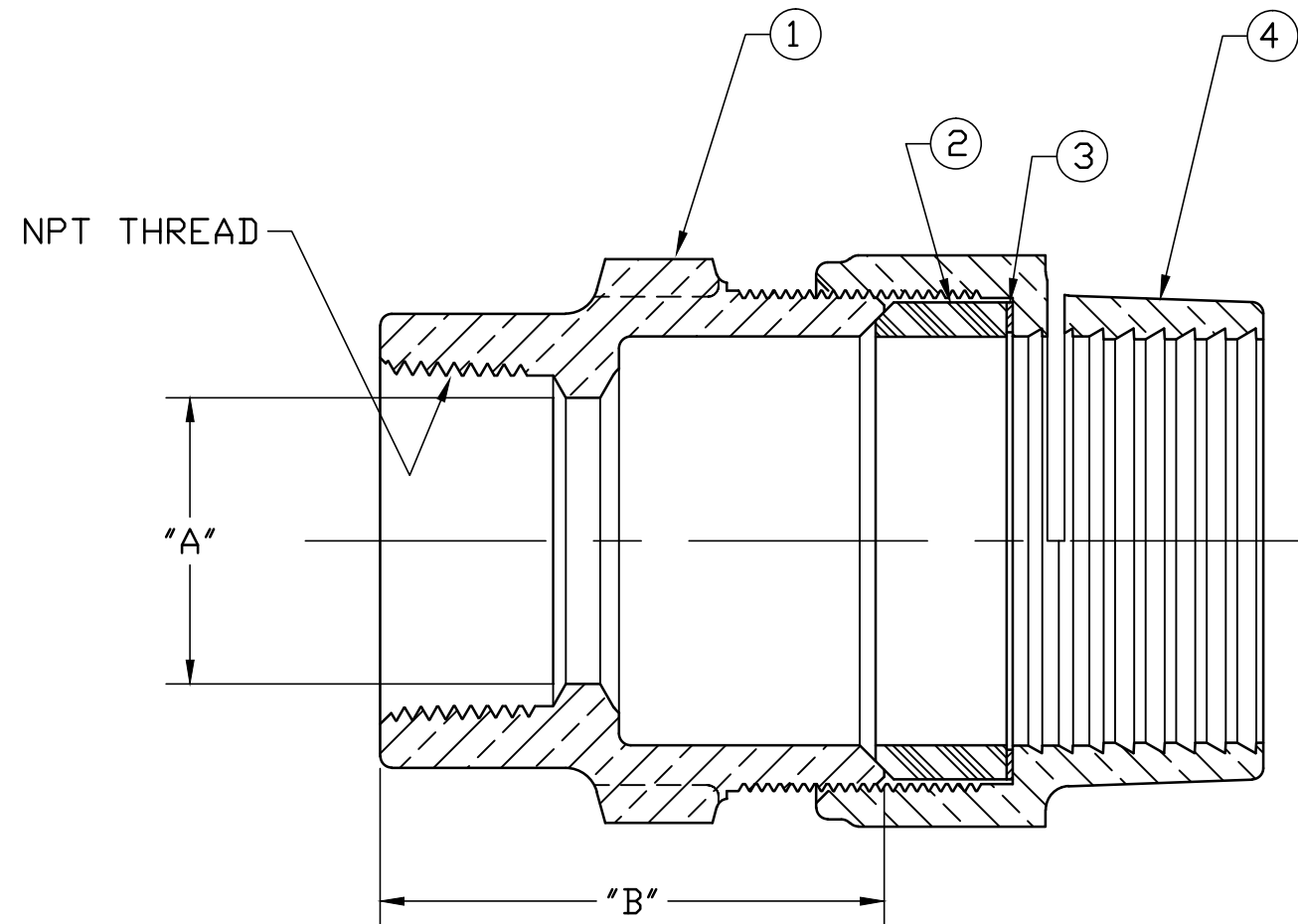


No.	DESCRIPTION	MATERIAL
1	SPUD	CAST LOW LEAD BRASS ALLOY
2	COMP GASKET	NITRILE ASTM D2000
3	WASHER	POLYPROPYLENE
4	COUPLING NUT	CAST BRASS ASTM B62 ALLOY C83600
5	CAP SCREW	304 STAINLESS STEEL

SIZE	ØA	B
3/4"	.89	1.89
1"	1.00	2.19
2"	2.00	2.68



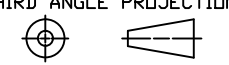
ALL WETTED PARTS ARE LOW LEAD BRASS ALLOY

FILEPATH: PROD-ENG\JJ\SUBMITTALS\E2608

DRFTR	JGarvin	6/1/11
CHKR		
ENGR		
MGR		

JONES

UNLESS OTHERWISE NOTED
 SURFACE PREPARATION:
 BREAK CORNER(S) ---- .000
 SURFACE FINISH -- XX RMS
 TOLERANCE(S):
 LINEAR ----- ± .000
 ANGULAR ----- ± 0°00'

THIRD ANGLE PROJECTION

 REF. No. SCALE
 FULL

BY DATE

STK No:

MAT'L:

DESCR.

LLB STRAIGHT COUPLING
 IPS PE PACK JOINT x FIP

DWG NUMBER
 E2608

TITLE TO AND OWNERSHIP OF THIS ENGINEERING
 DATA REMAINS IN Mueller Co. NO USE IS TO BE
 MADE OF THIS DATA EXCEPT AS SPECIFICALLY
 AUTHORIZED BY Mueller Co. ASSENT ON THE PART
 OF THE RECIPIENT TO THESE CONDITIONS IS PRESUMED

REV	ECR	DESCRIPTION	DATE	BY	CHKR

DWG NUMBER
 E2608
 JJ-MRKING