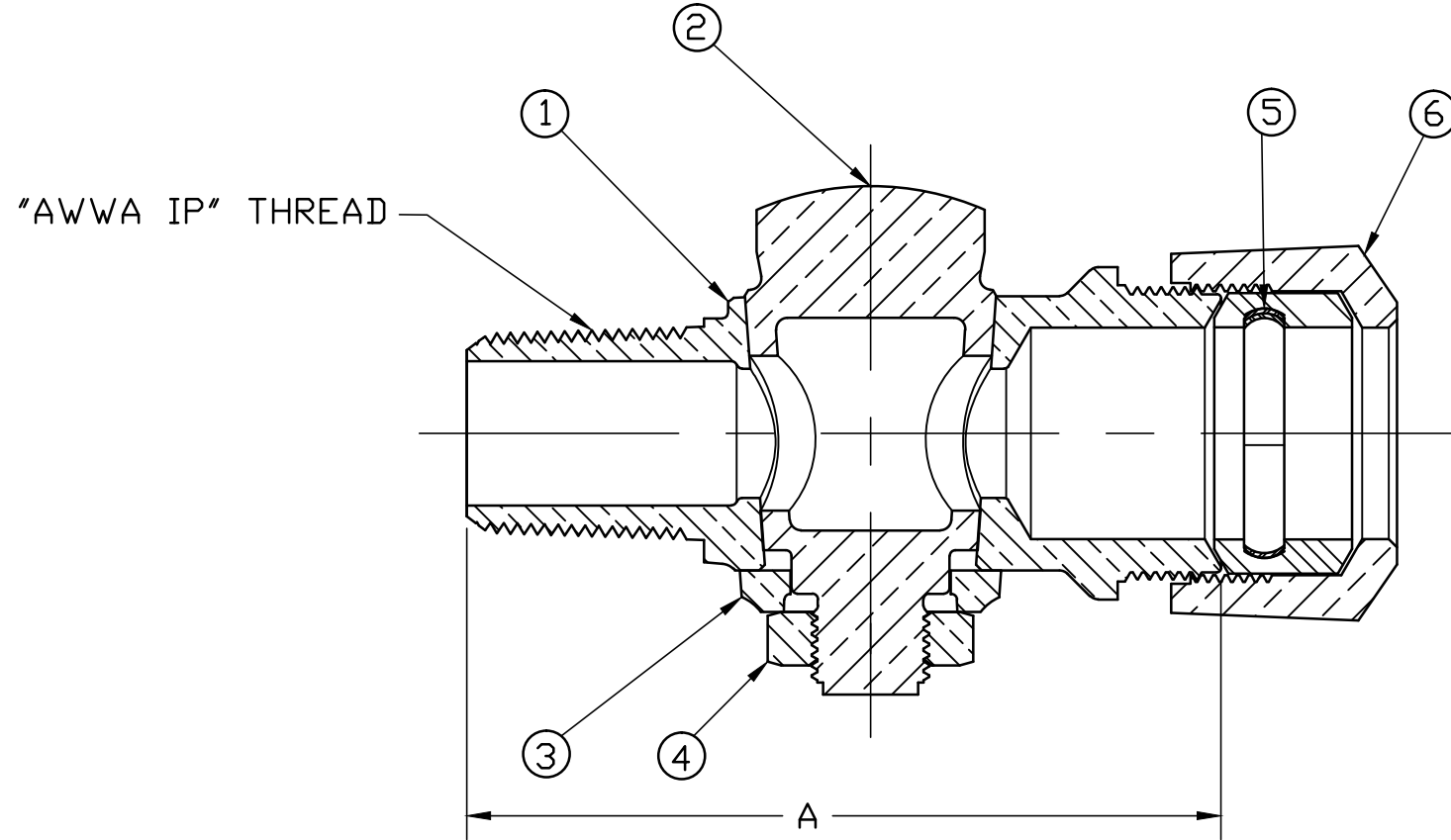


No.	DESCRIPTION	MATERIAL
1	BODY	CAST LOW LEAD BRASS ALLOY
2	KEY	CAST LOW LEAD BRASS ALLOY
3	KEY WASHER	CAST BRASS ASTM B62 ALLOY C83600
4	KEY NUT	CAST BRASS ASTM B62 ALLOY C83600
5	IPS PE GSKT	ASTM D2000(SBR)&410 STAINLESS STEEL
6	CONNX NUT	CAST BRASS ASTM B62 ALLOY C83600



VALVE SIZE	A
3/4"	3.97
1"	5.98

ALL WETTED PARTS ARE LOW LEAD BRASS ALLOY

FILEPATH: PROD-ENG\JAMESJONES\ASYSUBMITTALS\E3404SGP

						DRFTR	RWB	4/13/16	JONES	UNLESS OTHERWISE NOTED THIRD ANGLE PROJECTION	
						CHKR					SURFACE PREPARATION: BREAK CORNER(S) ---- .000 SURFACE FINISH -- XX RMS TOLERANCE(S): LINEAR ----- ± .000 ANGULAR ----- ± 0°00'
						ENGR				REF. No.	
						MGR					
									BY	DATE	
									STK No:		
									MAT'L:		
									DESCR.	GROUND KEY CORPORATION LLB VALVE (AWWA IP x SGP)	
										DWG NUMBER E3404SGP	
REV	ECR	DESCRIPTION	DATE	BY	CHKR						

DWG NUMBER
E3404EGP
JJ-MRKTG

TITLE TO AND OWNERSHIP OF THIS ENGINEERING
DATA REMAINS IN Mueller Co. NO USE IS TO BE
MADE OF THIS DATA EXCEPT AS SPECIFICALLY
AUTHORIZED BY Mueller Co. ASSENT ON THE PART
OF THE RECIPIENT TO THESE CONDITIONS IS PRESUMED