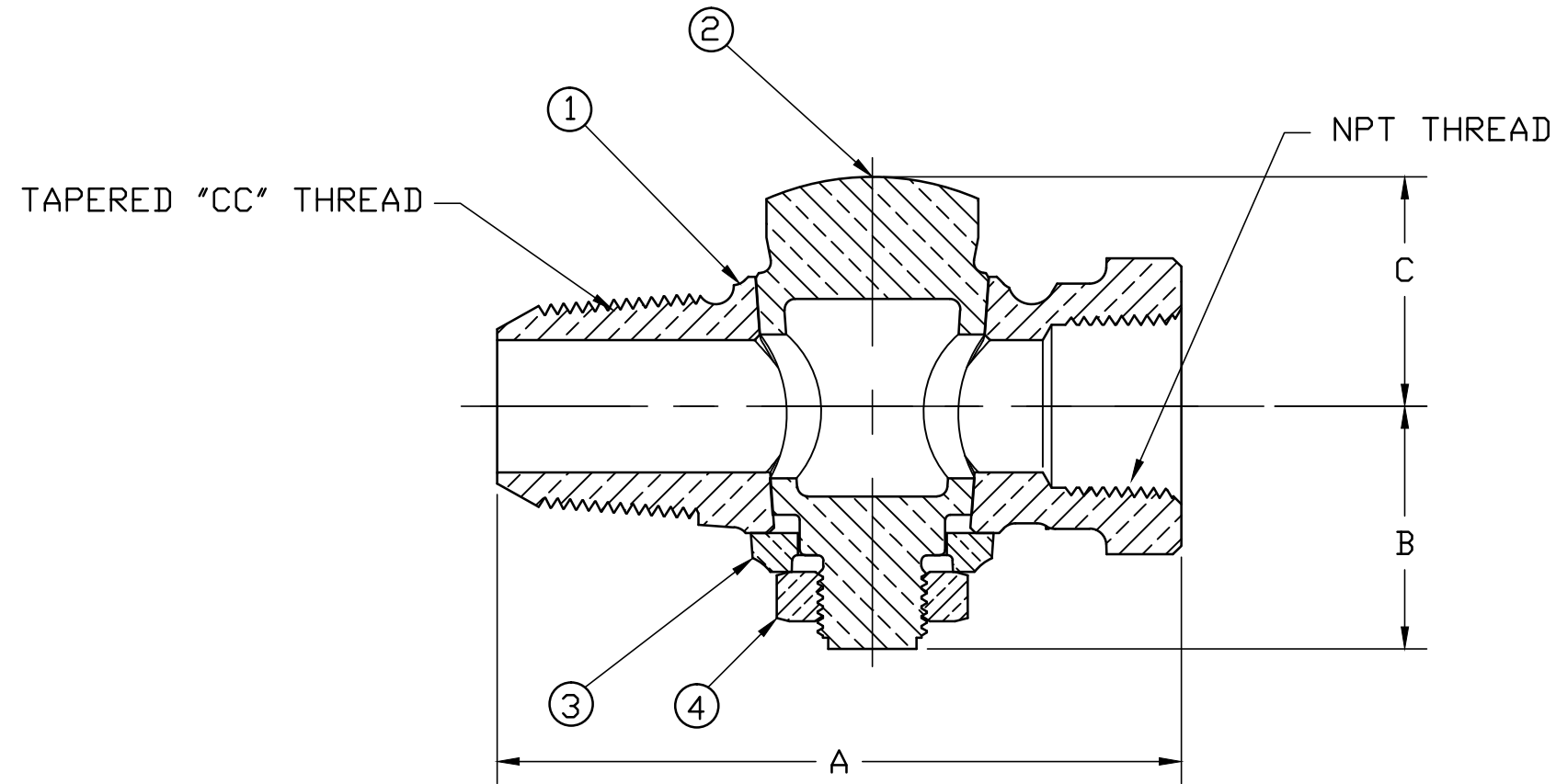


No.	DESCRIPTION	MATERIAL
1	BODY	CAST LOW LEAD BRASS ALLOY
2	KEY	CAST LOW LEAD BRASS ALLOY
3	KEY WASHER	CAST BRASS ASTM B62 ALLOY C83600
4	KEY NUT	CAST BRASS ASTM B62 ALLOY C83600



VALVE SIZE	A	B	C
3/4"	3.88	1.38	1.30
1"	4.31	1.46	1.41

ALL WETTED PARTS ARE LOW LEAD BRASS ALLOY

FILEPATH: PROD-ENG\JAMESJONES\ASYSUBMITTALS\E51

						DRFTR	RWB	4/13/16	<b>JONES</b>	THIRD ANGLE PROJECTION 
						CHKR				
						ENGR				
						MGR				
									UNLESS OTHERWISE NOTED	
									SURFACE PREPARATION:	
									BREAK CORNER(S) ---- .000	
									SURFACE FINISH -- XX RMS	REF. No.
									TOLERANCE(S):	SCALE
									LINEAR ----- ± .000	
									ANGULAR ----- ± 0°00'	
								STK No:		
								MAT'L:		
								DESCR.	GROUND KEY LLB CORPORATION STOP	DWG NUMBER
									("CC" TAPER x FIP)	E51
								PER EST NO: DXXXX	EST FIN WT = 0.0000 lbs	

DWG NUMBER  
E51  
JJ-MRKTG

TITLE TO AND OWNERSHIP OF THIS ENGINEERING DATA REMAINS IN Mueller Co. NO USE IS TO BE MADE OF THIS DATA EXCEPT AS SPECIFICALLY AUTHORIZED BY Mueller Co. ASSENT ON THE PART OF THE RECIPIENT TO THESE CONDITIONS IS PRESUMED.