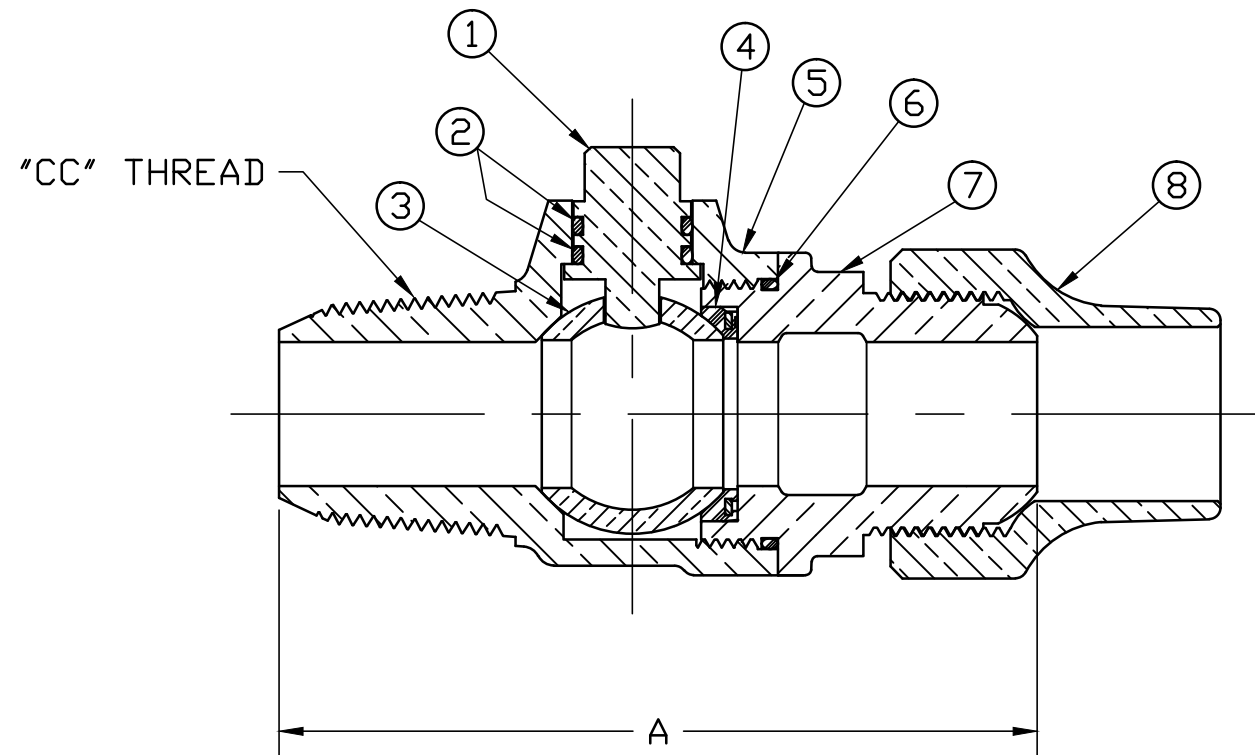


No.	DESCRIPTION	MATERIAL
1	STEM	CAST LOW LEAD BRASS ALLOY
2	O-RING	EPDM ASTM D2000
3	BALL	CAST LOW LEAD BRASS ALLOY
4	GASKET - SEAL	NITRILE ASTM D2000
5	BODY	CAST LOW LEAD BRASS ALLOY
6	O-RING	EPDM ASTM D2000
7	END PIECE	CAST LOW LEAD BRASS ALLOY
8	TUBE NUT	CAST BRASS ASTM B62 ALLOY C83600



VALVE SIZE	A
3/4"	3-61/64"
1"	4-7/8"
1-1/2"	6-7/64"
2"	7-7/32"

ALL WETTED PARTS ARE LOW LEAD BRASS ALLOY

FILEPATH: PROD-ENG\JJ\SUBMITTALS\E1930

						DRFTR	RWB	2/4/10	JONES		
						CHKR					UNLESS OTHERWISE NOTED THIRD ANGLE PROJECTION
						ENGR					
						MGR					REF. No.
									BY	DATE	
									STK No:		
									MAT'L:		
									DESCR.	BALL TYPE LLB CORPORATION VALVE (AWWA TAPER x COPPER FLARE CONNX)	
										DWG NUMBER E1930	
REV	ECR	DESCRIPTION	DATE	BY	CHKR						

TITLE TO AND OWNERSHIP OF THIS ENGINEERING DATA REMAINS IN Mueller Co. NO USE IS TO BE MADE OF THIS DATA EXCEPT AS SPECIFICALLY AUTHORIZED BY Mueller Co. ASSENT ON THE PART OF THE RECIPIENT TO THESE CONDITIONS IS PRESUMED

DWG NUMBER
E1930
JJ-MRKTG