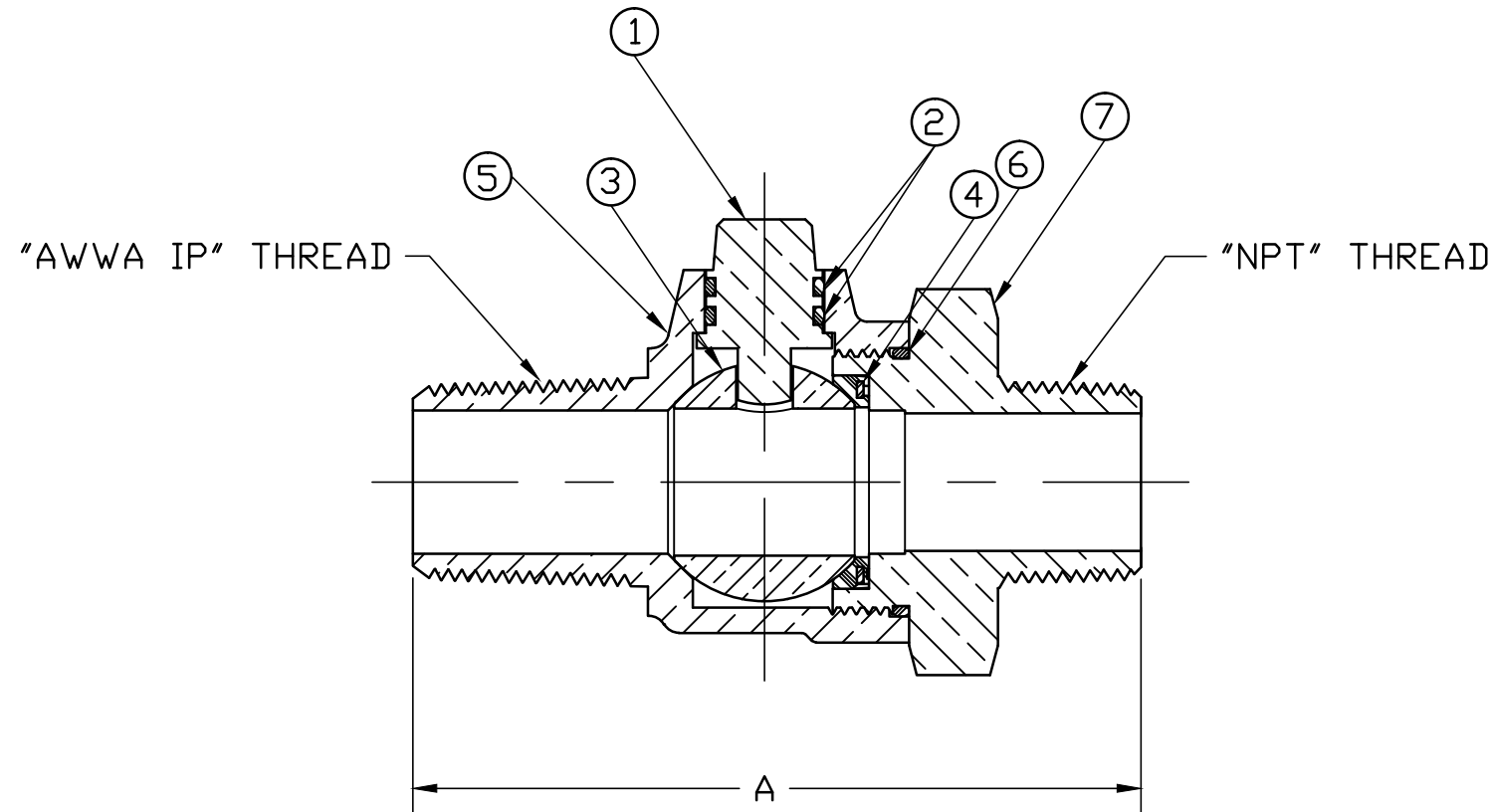


No.	DESCRIPTION	MATERIAL
1	STEM	LOW LEAD BRASS ALLOY
2	O-RING	EPDM D2000
3	BALL	LOW LEAD BRASS ALLOY
4	GASKET - SEAL	NITRILE D2000
5	BODY	CAST LOW LEAD BRASS ALLOY
6	O-RING	EPDM D2000
7	END PIECE	CAST LOW LEAD BRASS ALLOY



VALVE SIZE	A	NPT SIZE
3/4	3-13/16"	3/4"
1	4-33/64"	1"
1-1/2	5-53/64"	1-1/2"
2	6-13/32"	2"

ALL WETTED PARTS ARE LOW LEAD BRASS ALLOY

FILEPATH: PROD-ENG\JJ\SUBMITTALS\E1943

DWG NUMBER  
E1943  
JJ-MRK TG

TITLE TO AND OWNERSHIP OF THIS ENGINEERING DATA REMAINS IN Mueller Co. NO USE IS TO BE MADE OF THIS DATA EXCEPT AS SPECIFICALLY AUTHORIZED BY Mueller Co. ASSENT ON THE PART OF THE RECIPIENT TO THESE CONDITIONS IS PRESUMED.

REV	ECR	DESCRIPTION	DATE	BY	CHKR	DRFTR	JGarvin	8/28/09	<b>JONES</b> UNLESS OTHERWISE NOTED THIRD ANGLE PROJECTION SURFACE PREPARATION: BREAK CORNER(S) ---- .000 SURFACE FINISH -- XX RMS TOLERANCE(S): LINEAR ----- ± .000 ANGULAR ----- ± 0°00'			REF. No.	SCALE
									BY DATE MAT'L: DESCR. BALL TYPE LLB CORP VALVE (AWWA IP x MIP)			DWG NUMBER E1943	