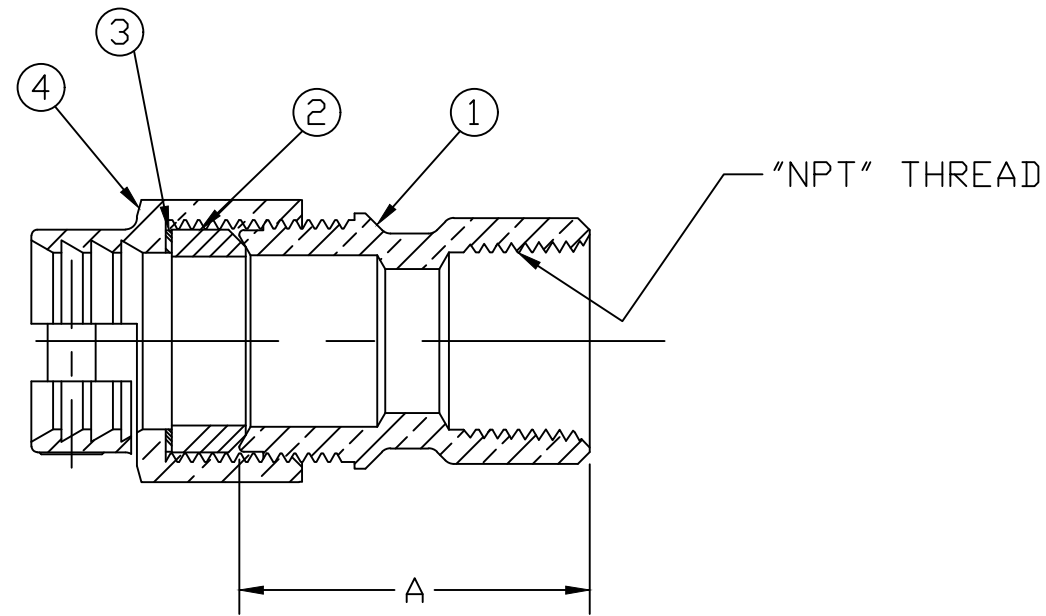


| No. | DESCRIPTION | MATERIAL |
|-----|--------------|----------------------------------|
| 1 | SPUD | CAST NO LEAD BRASS ALLOY |
| 2 | PJ GASKET | EPDM ASTM D2000 |
| 3 | PJ WASHER | POLYPROPYLENE |
| 4 | COUP NUT SUB | CAST BRASS ASTM B62 ALLOY C83600 |



| SIZE | A | NPT SIZE |
|-------|----------|----------|
| 3/4 | 1-31/32" | 3/4" |
| 3/4x1 | 1-5/8" | 3/4" |
| 1 | 2-3/32" | 1" |
| 1x3/4 | 1-49/64" | 1" |
| 1-1/2 | 2-1/2" | 1-1/2" |
| 2 | 2-5/8" | 2" |

ALL WETTED PARTS ARE NO LEAD BRASS ALLOY

FILEPATH: PROD-ENG\JJ\SUBMITTALS\E2607

| | | | | | | | | | | |
|--|--|--|--|--|--|-------|-----|---------|---------------------------------------|----------------------------|
| | | | | | | DRFTR | RWB | 6/9/08 | JONES | THIRD ANGLE PROJECTION |
| | | | | | | CHKR | | | | |
| | | | | | | ENGR | | | | |
| | | | | | | MGR | | | | |
| | | | | | | | | | UNLESS OTHERWISE NOTED | |
| | | | | | | | | | SURFACE PREPARATION: | |
| | | | | | | | | | BREAK CORNER(S) ----- .000 | |
| | | | | | | | | | SURFACE FINISH -- XX RMS | REF. No. |
| | | | | | | | | | TOLERANCE(S): | SCALE |
| | | | | | | | | | LINEAR ----- ± .000 | |
| | | | | | | | | | ANGULAR ----- ± 0°00' | |
| | | | | | | | | STK No: | | |
| | | | | | | | | MAT'L: | | |
| | | | | | | | | DESCR: | | |
| | | | | | | | | | STRAIGHT COUPLING NLB SERVICE FITTING | DWG NUMBER |
| | | | | | | | | | (PJ CTS x FIP) | E2607 |

TITLE TO AND OWNERSHIP OF THIS ENGINEERING DATA REMAINS IN Mueller Co. NO USE IS TO BE MADE OF THIS DATA EXCEPT AS SPECIFICALLY AUTHORIZED BY Mueller Co. ASSENT ON THE PART OF THE RECIPIENT TO THESE CONDITIONS IS PRESUMED

DWG NUMBER
E2607
JJ-MRKTG

| REV | ECR | DESCRIPTION | DATE | BY | CHKR |
|-----|-----|-------------|------|----|------|
| | | | | | |