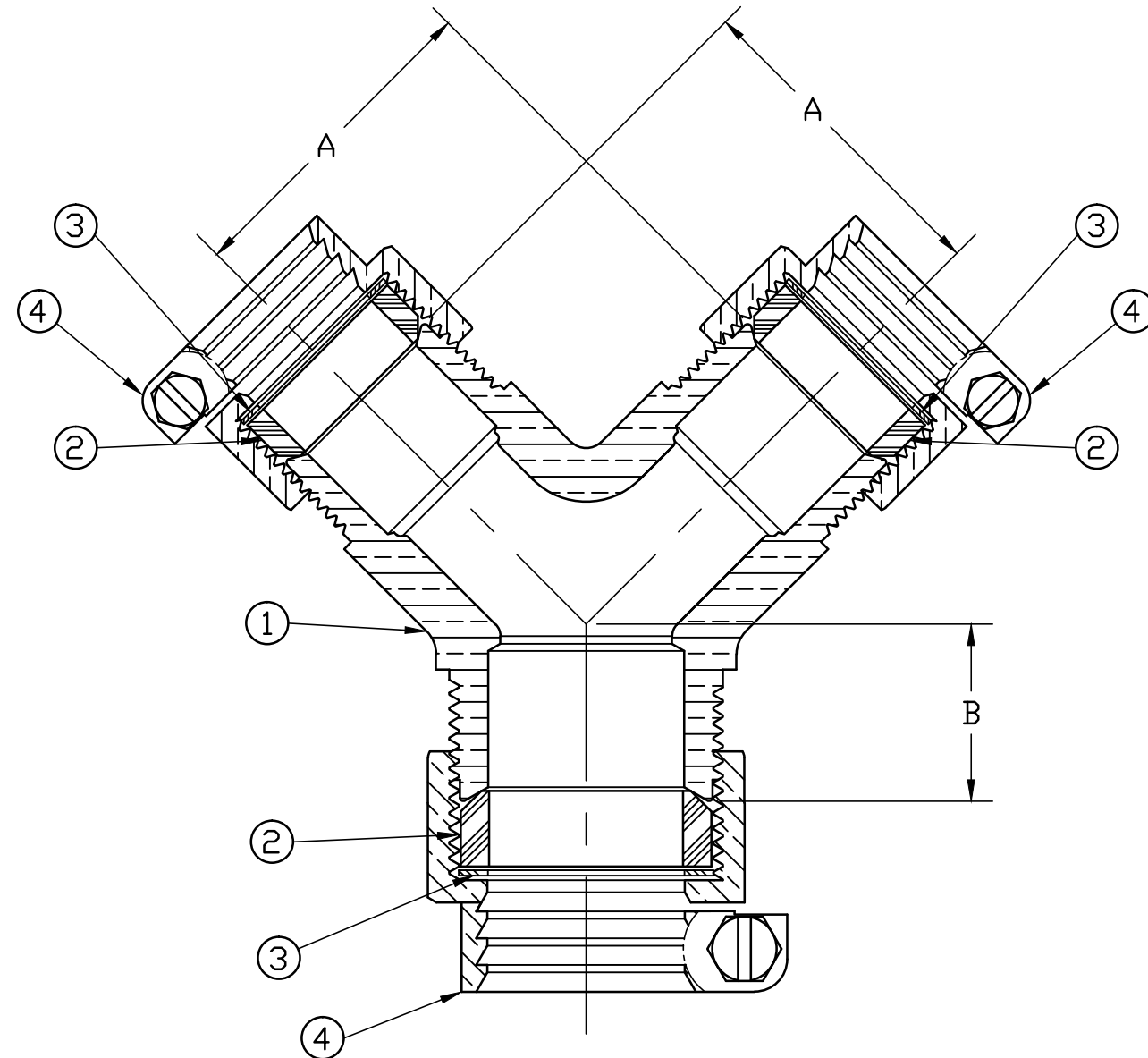


No.	DESCRIPTION	MATERIAL DESCRIPTION
1	BRANCH CONN	CAST LOW LEAD BRASS ALLOY
2	PJ GASKET	ASTM D2000 NITRILE
3	PJ WASHER	POLYPROPYLENE
4	PJ CPLG NUT	CAST BRASS ASTM B62 ALLOY C83600

VALVE SIZE	A	B
3/4" x 1"	1.91	1.03
1" x 1-1/2"	2.38	1.40
1" x 2"	2.38	1.59



ALL WETTED PARTS ARE LOW LEAD BRASS ALLOY

FILEPATH: PROD-ENG\JAMESJONES\ASYSUBMITTALS\E2625

						DRFTR	RWB	4/25/16	JONES	THIRD ANGLE PROJECTION
						CHKR				
						ENGR				
						MGR				
									UNLESS OTHERWISE NOTED	
									SURFACE PREPARATION:	
									BREAK CORNER(S) ---- .000	
									SURFACE FINISH -- XX RMS	REF. No.
									TOLERANCE(S):	SCALE
									LINEAR ----- ± .000	
									ANGULAR ----- ± 0°00'	
									STK No:	
									MAT'L:	
									DESCR.	
									LLB Y-BRANCH CONNECTION	DWG NUMBER
									(PJ CTS ENDS)	E2625
									PER EST NO: DXXXX	EST FIN WT = 0.0000 lbs

DWG NUMBER
E2625
JJ-MRKTG

TITLE TO AND OWNERSHIP OF THIS ENGINEERING DATA REMAINS IN Mueller Co. NO USE IS TO BE MADE OF THIS DATA EXCEPT AS SPECIFICALLY AUTHORIZED BY Mueller Co. ASSENT ON THE PART OF THE RECIPIENT TO THESE CONDITIONS IS PRESUMED