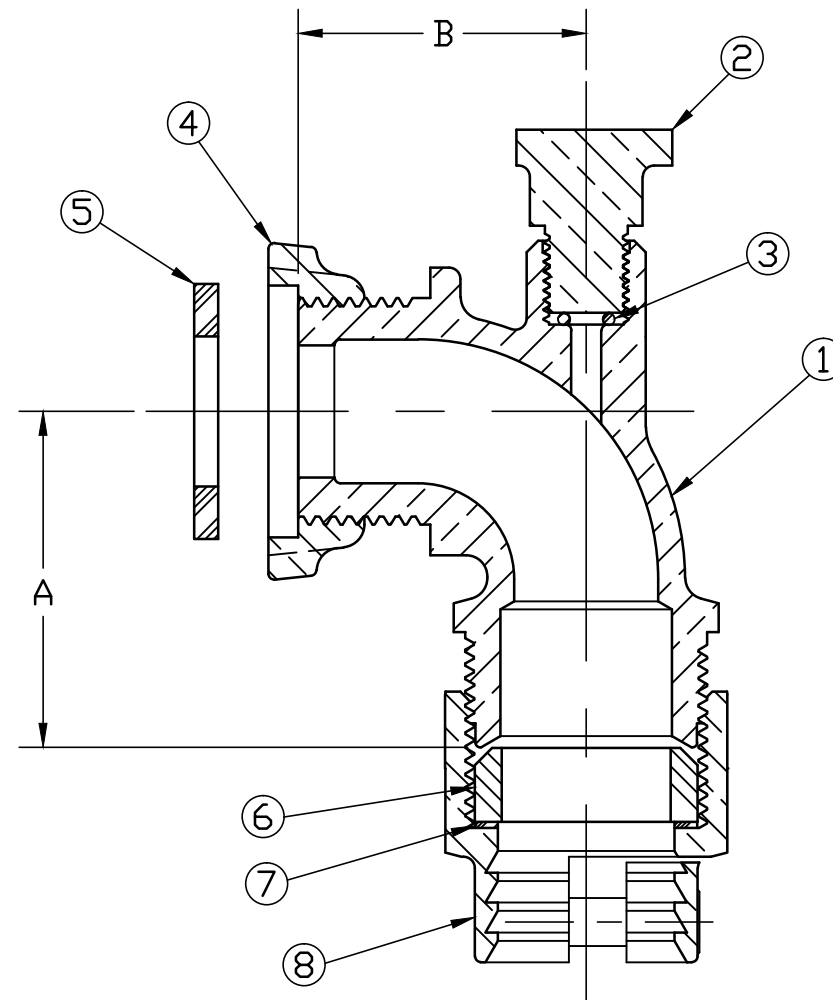


| No. | DESCRIPTION | MATERIAL |
|-----|---------------|----------------------------------|
| 1 | TAILPIECE | CAST LOW LEAD BRASS ALLOY |
| 2 | DRAIN PIN | CAST LOW LEAD BRASS ALLOY |
| 3 | O-RING | EPDM ASTM D2000 |
| 4 | LOCK NUT | CAST BRASS ASTM B62 ALLOY C83600 |
| 5 | RUBBER GASKET | NITRILE ASTM D2000 |
| 6 | PJ GASKET | ASTM D2000 (BUNA N) |
| 7 | PJ WASHER | POLYPROPYLENE |
| 8 | PJ CPLG NUT | CAST BRASS ASTM B62 ALLOY C83600 |



| METER CONNX SIZE | A | B |
|------------------|-------|-------|
| 5/8 x 3/4 | 1.750 | 1.500 |
| 5/8 x 3/4 x 3/4 | 1.750 | 1.500 |

ALL WETTED PARTS ARE LOW LEAD BRASS ALLOY

FILEPATH: PROD-ENG\JAMESJONES\ASYSUBMITTALS\E6417W

| | | | | | | | | | | | | | |
|--|--|--|--|--|--|-------|-----|---------|--|----------------------------|--|----------|---------------|
| | | | | | | DRFTR | RWB | 5/16/16 | JONES | THIRD ANGLE PROJECTION | | | |
| | | | | | | CHKR | | | | | UNLESS OTHERWISE NOTED SURFACE PREPARATION: BREAK CORNER(S) ----- .000 SURFACE FINISH -- XX RMS | REF. No. | SCALE FULL |
| | | | | | | ENGR | | | | | | | |
| | | | | | | MGR | | | | | BY | DATE | |
| | | | | | | | | | STK No: | | | | |
| | | | | | | | | | MAT'L: | | | | |
| | | | | | | | | | DESCR. | | | | |
| | | | | | | | | | QUARTER BEND LLB METER COUPLING IRON BAR x PJ CTS | | DWG NUMBER E6417W | | |
| | | | | | | | | | PER EST NO: DXXXX EST FIN WT = 0.0000 lbs | | | | |

DWG NUMBER
E6417W
442-MRKTG

TITLE TO AND OWNERSHIP OF THIS ENGINEERING DATA REMAINS IN Mueller Co. NO USE IS TO BE MADE OF THIS DATA EXCEPT AS SPECIFICALLY AUTHORIZED BY Mueller Co. ASSENT ON THE PART OF THE RECIPIENT TO THESE CONDITIONS IS PRESUMED